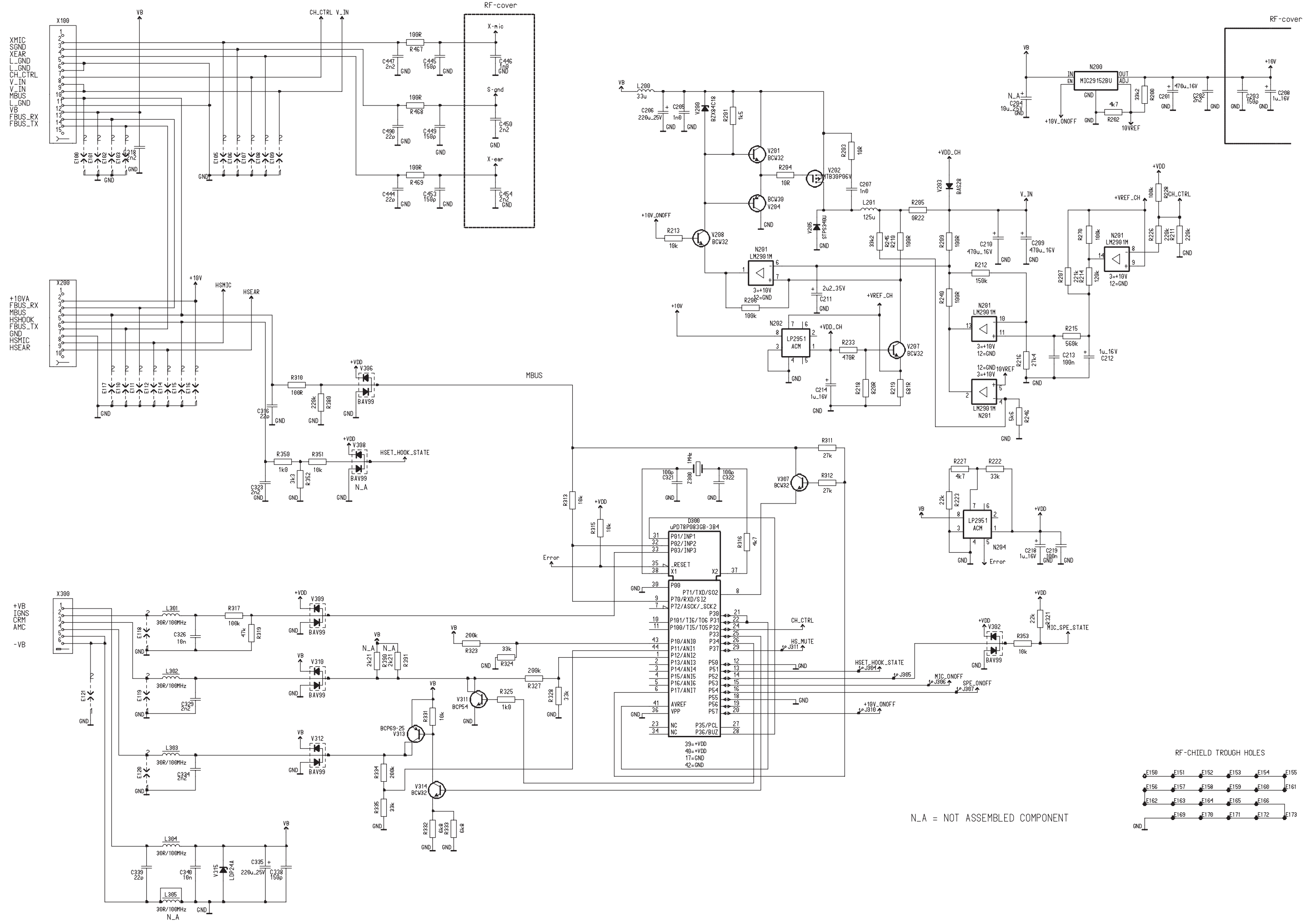
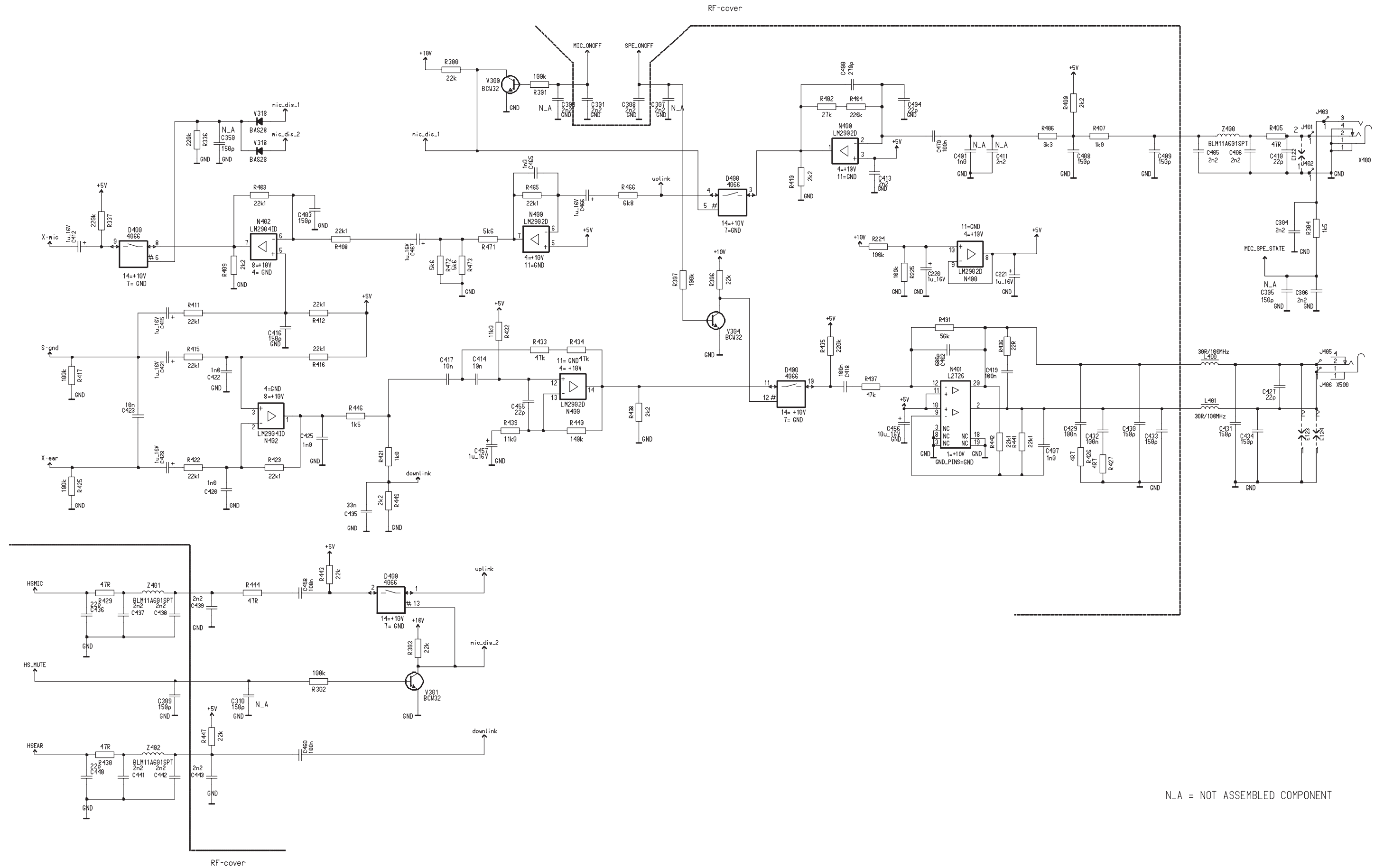


Block Diagram of Power & Charging (Version 5 Edit 94) for layout version 05

Hands Free Unit

HFU-2





N_A = NOT ASSEMBLED COMPONENT

ALTERNATIVE COIL TYPES

